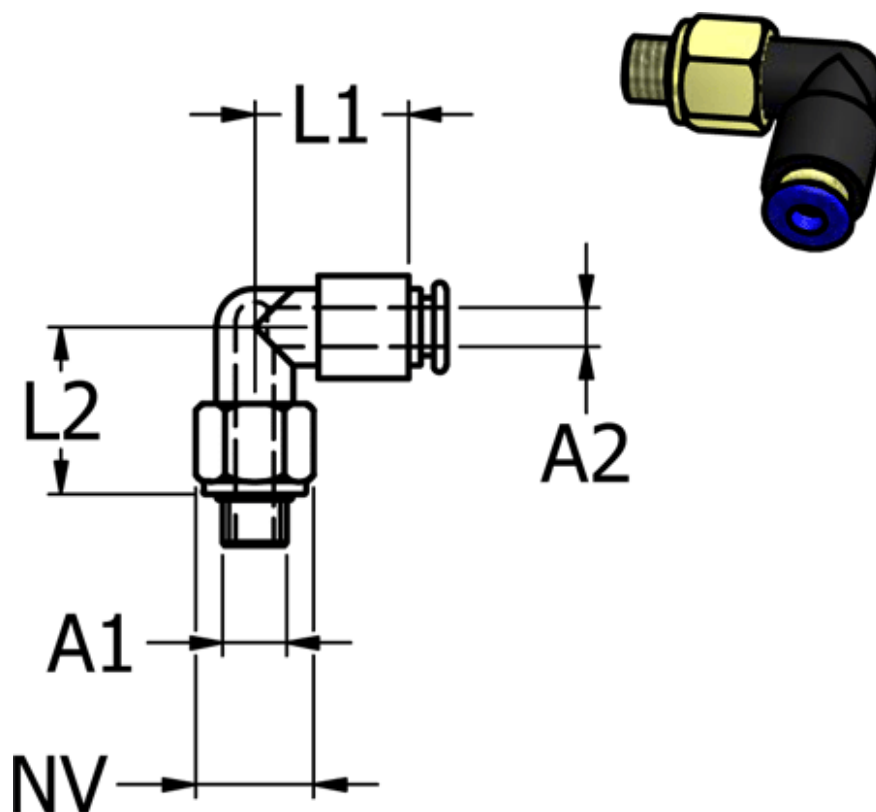


Article number: 586PL33

Description: Mini Push-in PL33, angle, M3 hose Ø3

Measures



Ext. hose diameter A2 = 3 mm

L1 = 12

L2 = 16

NV = 8

Thread A! = M3